

Continue the Renault **MASTER** experience  
at [www.renault.ie](http://www.renault.ie)



# New Renault MASTER



Although every effort has been made to ensure that the information contained within this brochure is as accurate and up to date as possible, Renault Ireland reserves the right to modify its models without notice, including their characteristics, specifications, equipment and accessories. Brochures inevitably become out of date or inaccurate in some respects, in that such characteristics, specifications equipment, or accessories may be changed after the publication date given below and can differ from the descriptions given or the photos displayed. It is therefore necessary to check with your Renault Dealer before purchasing any product that the characteristics, specifications, equipment or accessories of the vehicle on order are as advertised.

Renault recommends elf

Prodigious Photo credits: J.B. Lemal, P. Curtet, T. Motta, W. Crozes - Mathématique - ©Renault Marketing 3D - Commerce - Printed in EC - 7701 380 809 - January 2020

January 2020



## New Renault MASTER, a vehicle for everyone

Renault presents New Renault MASTER and reasserts its expertise in the field. New MASTER is instantly distinguished through a more dynamic front-end design featuring the signature C-shaped lighting. An elevated bonnet line, vertical front grille and new 'Urban Grey' colour complete the revised styling. New MASTER is available in three body heights and four body lengths to adapt to the needs of all users.



## Driving has never been as comfortable

Professionals have tough and busy days; this is why the New Renault MASTER cabin area has been designed to provide the comfort and practicality of a 'Mobile Office'. Packed with clever solutions, such as hidden laptop storage, that help to keep you connected on the go. (standard on Business+).





## Easy and secure loading

New MASTER gives priority to practicality and efficiency. The rear doors can be opened 270° (optional), and the very low body sill makes it easier to load cumbersome items. Anchorage points (up to 10) secure the goods, and handles, ideally placed on the sides of the doors, save you effort in loading and unloading from the rear area. With its wide rear and side openings and optimum load volume (from 8 m<sup>3</sup> to 22 m<sup>3</sup>), New MASTER adapts to the needs of all users.

In terms of security, the reinforced locks and 3-button key (standard on Business+) ensure that you work with complete peace of mind.





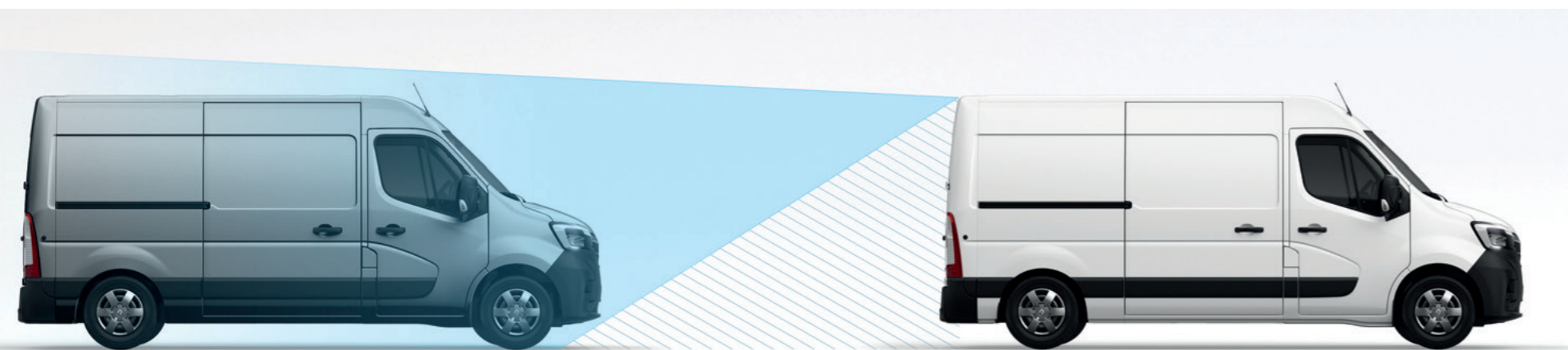
## Our profession, adapting to yours

New MASTER is the tailor-made utility vehicle! A wide-range of body styles are available and include specific versions that meet unique needs: tippers and box vans. Whether factory built or locally converted, your Renault dealer will help you select the best vehicle for your business.





1.



## Performance and safety

In terms of driving, the increased power and torque offer greater comfort at low engine speed and more responsiveness at higher speed. The New Renault MASTER engines help you save fuel through controlled consumption.

**Permanent rear view camera:** The new driving assistance systems do everything to make your life easier. The "Rear View Assist", a Renault innovation, offers excellent rear view at mid and long distance for the best possible anticipation when driving\*.

**Blind spot warning:** New MASTER can be fitted with a system that detects the presence of any vehicle in your blind spot. Active between 19 mph and 87 mph, a light signal alerts you immediately in the event of an obstacle and gives you an optimised side view.

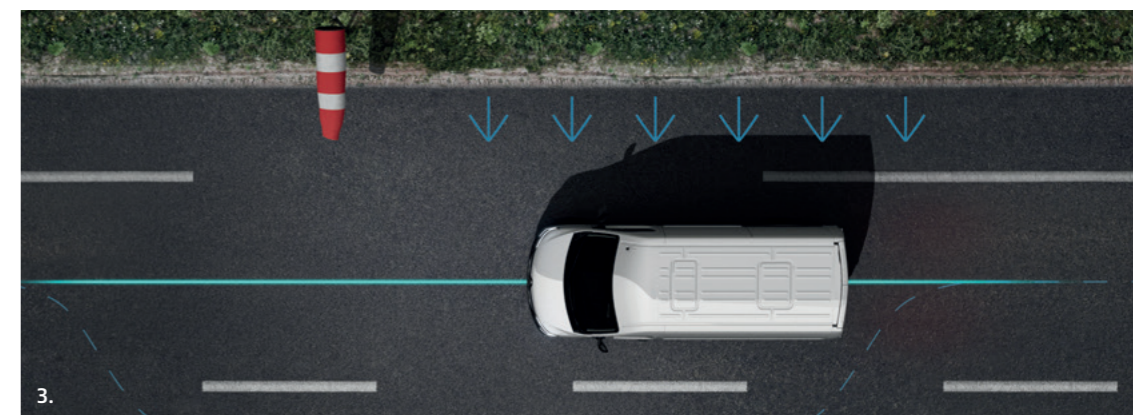
**Side Wind Assist:** New MASTER is fitted with a system that helps maintain its trajectory above 43 mph when it is subjected to strong side winds or when a vehicle is overtaking it.

**Automatic Emergency Braking System:** An active safety system able to detect moving or stationary vehicles. Automatic emergency braking is triggered and takes charge of braking if you react with a delay.

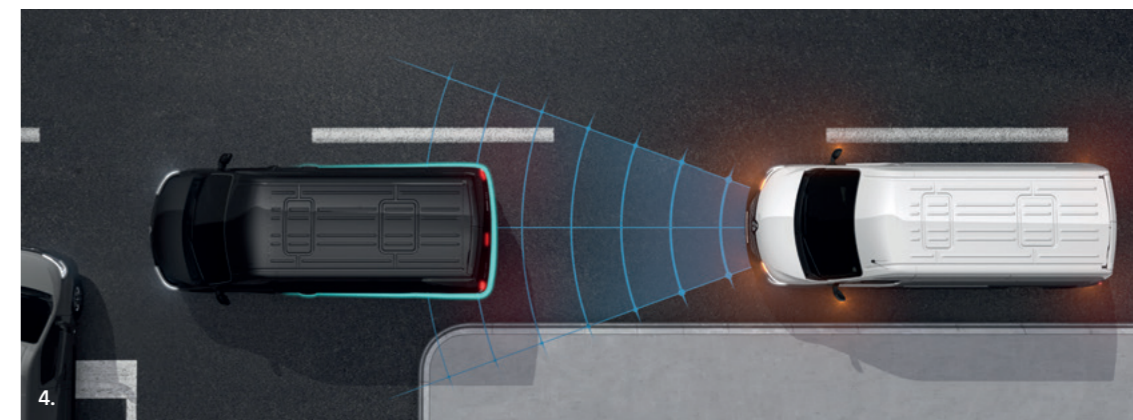
- (1) Permanent rear view camera (optional)
  - (2) Blind spot warning (optional)
  - (3) Side wind assist (standard)
  - (4) Advanced Emergency Braking System (optional)
- \* Only when driving forward



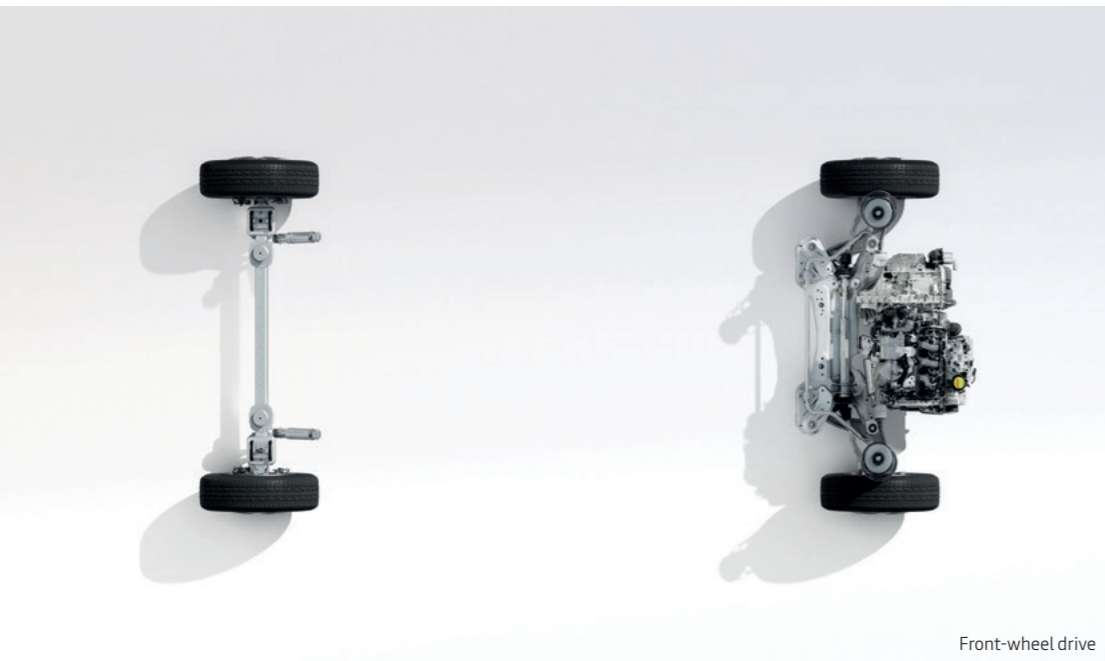
2.



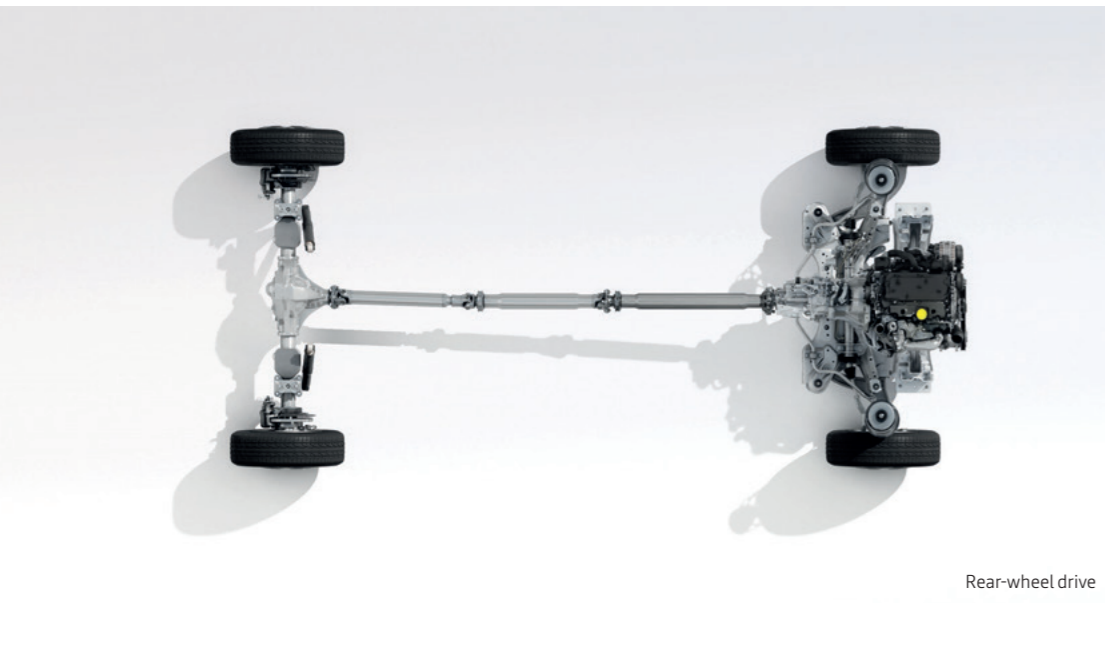
3.



4.



Front-wheel drive



Rear-wheel drive

## Two drivetrains available

Does your business involve the transport of heavy, cumbersome and fragile loads? New MASTER has two technical choices to meet your requirements: a front-wheel drive version and a rear-wheel drive version. Which to choose? Each offers unrivalled road handling and has its own advantages. With a loading sill that is 13 mm lower, New MASTER front-wheel drive\* and its 3 different lengths is perfect for payload and road transport. But if you're looking for traction as a priority, choose New MASTER rear-wheel drive, capable of transporting the heaviest loads on the rear axle (in particular with twin wheels) and towing a trailer up to 3.5 t\*\*, on all types of terrain. After all, what better than to have a choice?

\* GVW up to 3.5t.

\*\* Twin wheel rear-wheel drive chassis version.



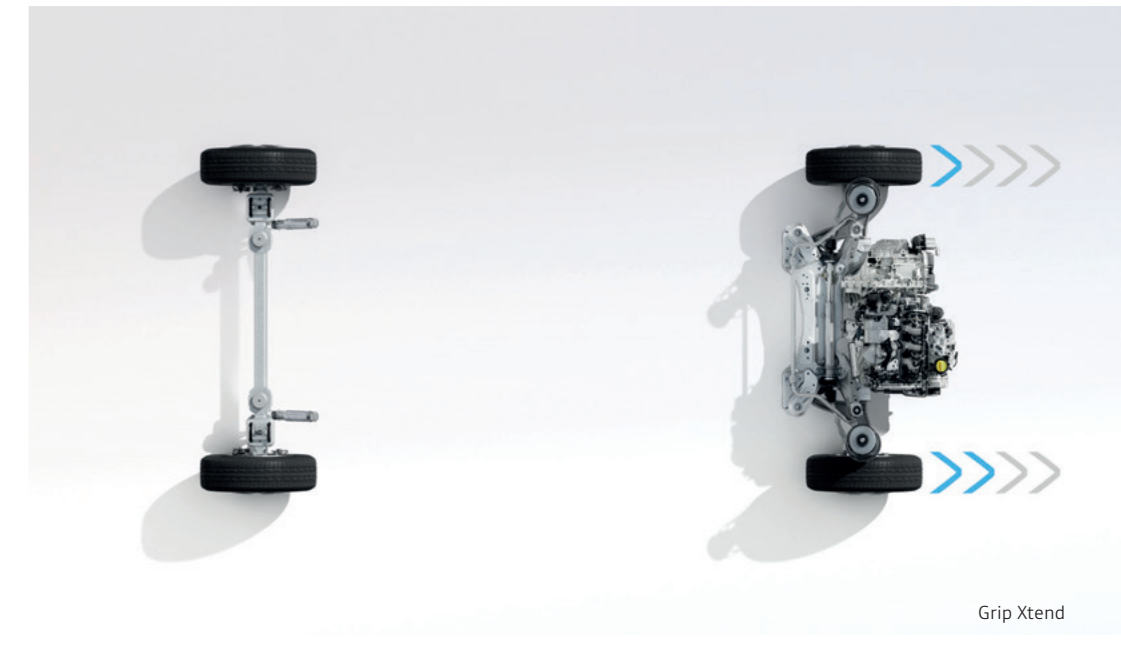


## Drive anywhere, in all weather

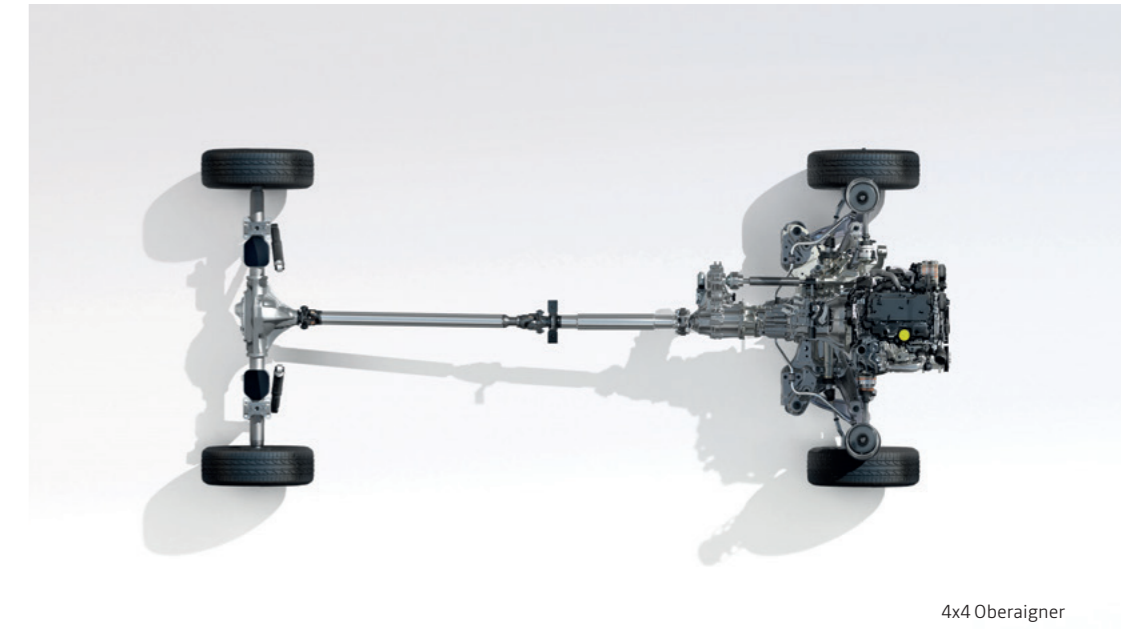
Do you drive all the time on different types of terrain and sometimes on bad roads? To meet occasional demands for enhanced traction and help you deal with poor driving conditions, Renault has developed new technology: Grip Xtend. This technology improves the adaptability of your utility vehicle on difficult roads, such as unpaved or muddy tracks. The onboard computer recovers data from the wheels to optimise the vehicle's performance. When grip is lost, it adapts engine power to each wheel to improve the grip and manoeuvrability of the vehicle.

New MASTER 4x4 (developed with Oberaigner) is there to help you. Thanks to the four-wheel drive system, its raised ground clearance and differential locking, slippery surfaces, rough roads, damp and steep slopes will no longer prevent you from working. In 2-wheel drive mode, it has an automatic rear differential lock and gearing down can be activated. It can also be activated in full 4-wheel drive mode with a front differential lock. The New MASTER 4x4 suspension is raised by: 65 mm at the front/45 mm at the rear (twin wheels)/58 mm at the rear (single wheels). New MASTER 4x4 also includes metal plate protection under the engine and under the body to protect vital components\*.

\* Optional on RWD versions



Grip Xtend



4x4 Oberaigner





## Cutting emissions and your costs: the 100% electric New MASTER Z.E.

Introducing the New MASTER Z.E. – ultra low running costs, zero emissions whilst driving and 120 kilometers (WLTP\*), giving a real-world driving range of 120 kilometers in summer and 80 kilometers in winter. All that while maintaining the same dimensions of its diesel equivalents! The New MASTER Z.E. has an impressive load capacity of up to 13m<sup>3</sup> and a payload that goes up to 1,128kg, plus all the extra benefits of owning an electric vehicle. Reduced road noise and low running costs prove that our New MASTER Z.E. will not only be a great purchase for your fleet but also for your pocket!

\*\*WLTP figures shown are for comparability purposes; only compare figures with vehicles tested to the same technical procedures. The WLTP electric range shown has been achieved using the new (WLTP) test procedure. Figures obtained after the battery was fully charged. Actual real world driving results may vary depending on factors such as the starting charge of the battery, accessories fitted after registration, weather conditions, driving styles and vehicle load. Renault estimates average real world driving figures for this vehicle as 120 kilometers in summer and 80 kilometers in winter, depending on the factors above.

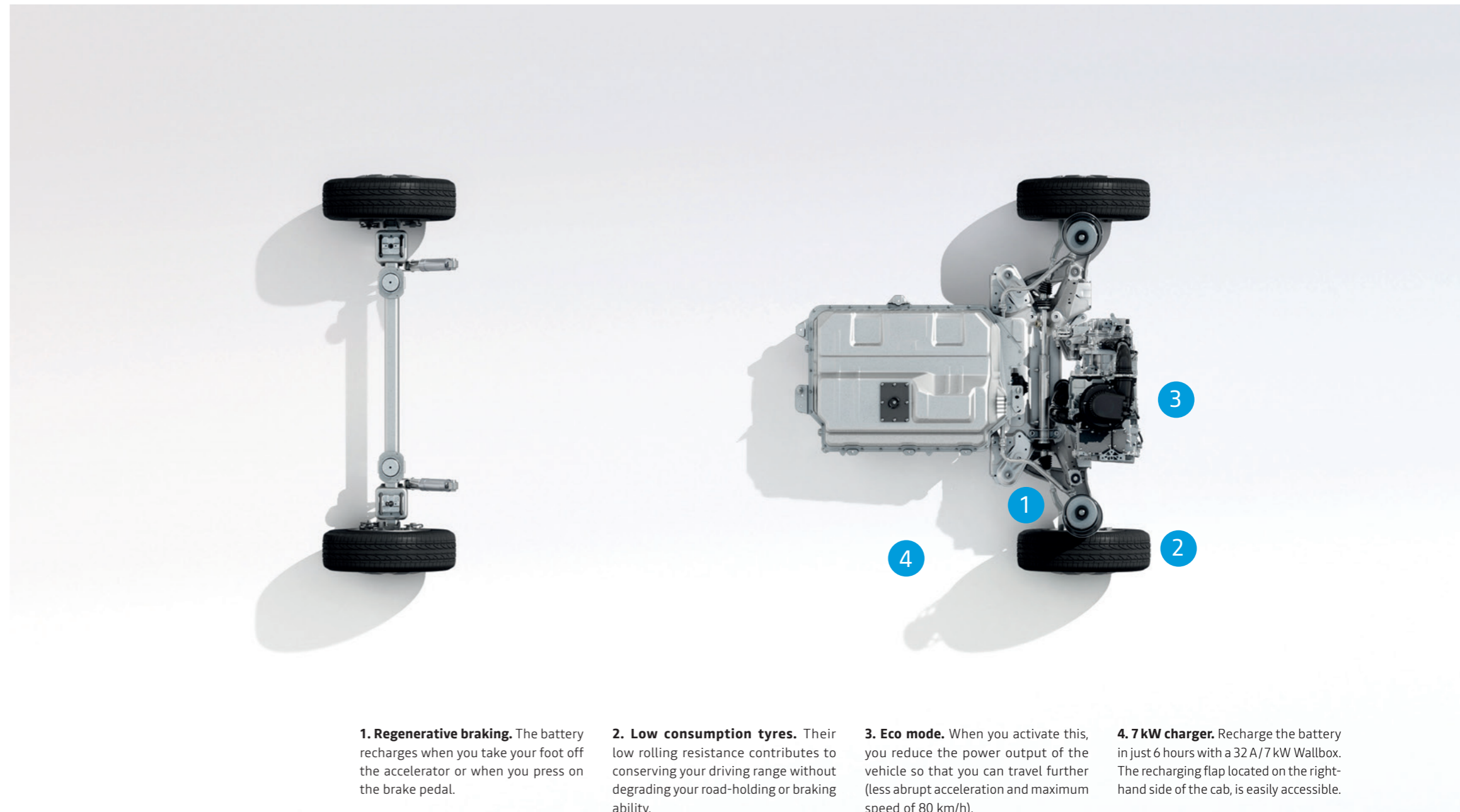




## Your 100% controlled driving range

New MASTER Z.E. has 120 kilometers<sup>(1)</sup> of driving range in actual use thanks to its lithium-ion Z.E. 33 (33 kWh) battery. The 57 kW power unit offers a torque of 225 Nm and optimum driving comfort. A range of on-board technologies, such as regenerative braking (the battery recharges when the accelerator pedal is released or when the brake pedal is pressed) or the Eco mode (less abrupt acceleration and maximum speed of 80 km/h), help optimise your driving range. You can charge your New MASTER Z.E. in just 6 hours with a 32 A/7 kW Wallbox. The recharging flap located on the right-hand side of the vehicle, is easily accessible.

(1) Real-world driving range greater than 80 kilometers including the most severe use (high load, city centre driving with frequent stops and winter conditions). Actual consumption also depends on the equipment, the driving style of the driver and the elevation profile of the route.



**1. Regenerative braking.** The battery recharges when you take your foot off the accelerator or when you press on the brake pedal.

**2. Low consumption tyres.** Their low rolling resistance contributes to conserving your driving range without degrading your road-holding or braking ability.

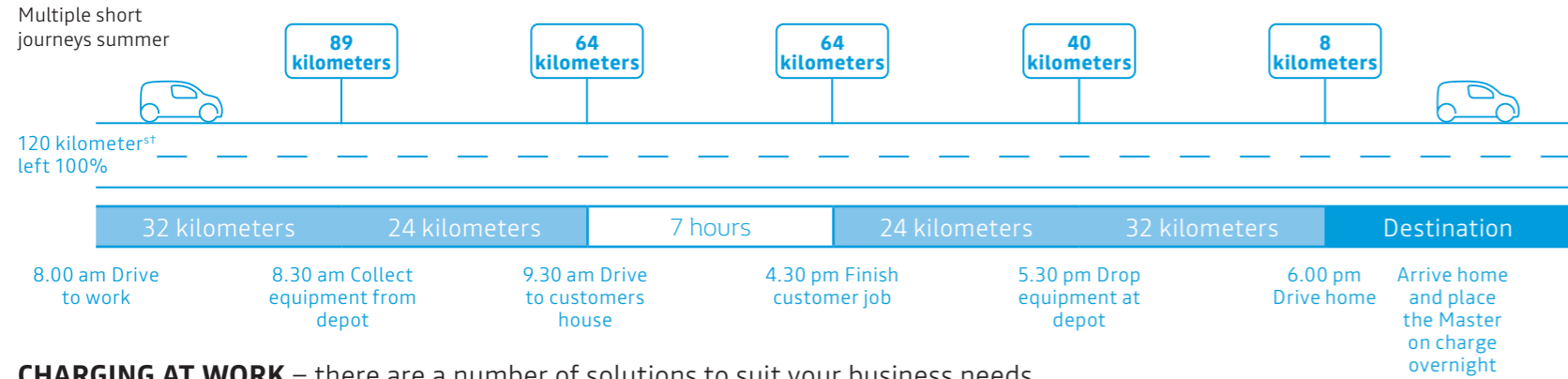
**3. Eco mode.** When you activate this, you reduce the power output of the vehicle so that you can travel further (less abrupt acceleration and maximum speed of 80 km/h).

**4. 7 kW charger.** Recharge the battery in just 6 hours with a 32 A/7 kW Wallbox. The recharging flap located on the right-hand side of the cab, is easily accessible.

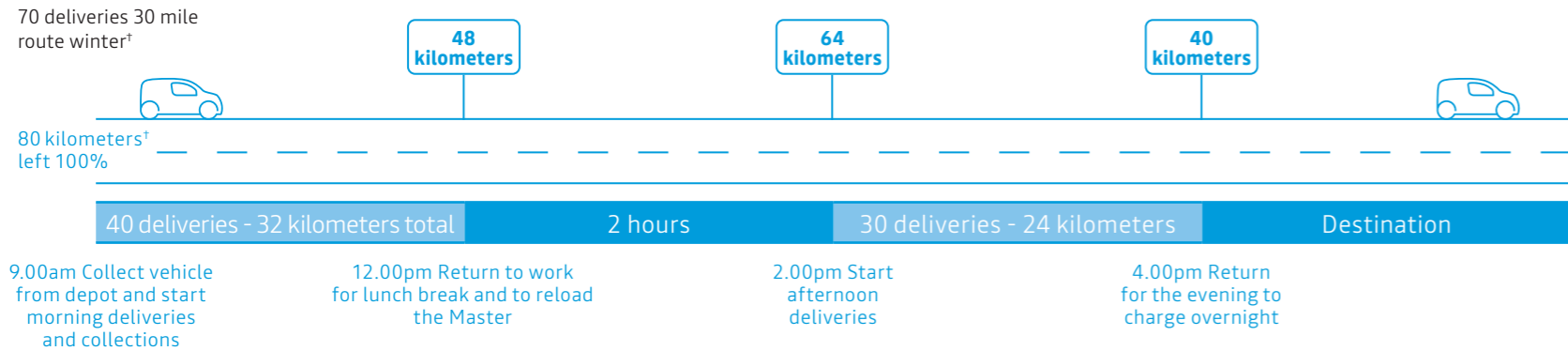
# Charging your New MASTER Z.E.

**KEY**  
■ Driving Distance ■ Charging Time

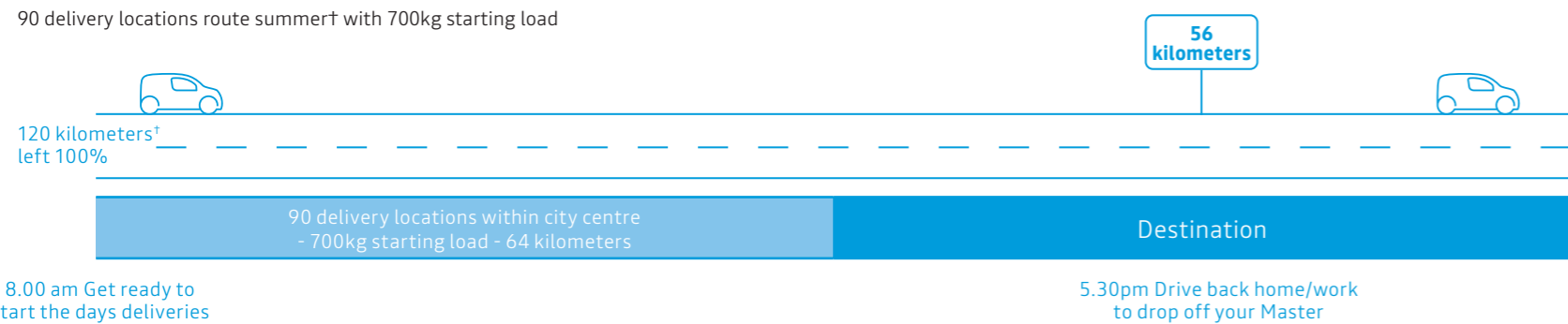
**CHARGING AT HOME** – couldn't be easier to charge your New MASTER Z.E. at home\*, just park your van, plug it in and go inside.



**CHARGING AT WORK** – there are a number of solutions to suit your business needs.



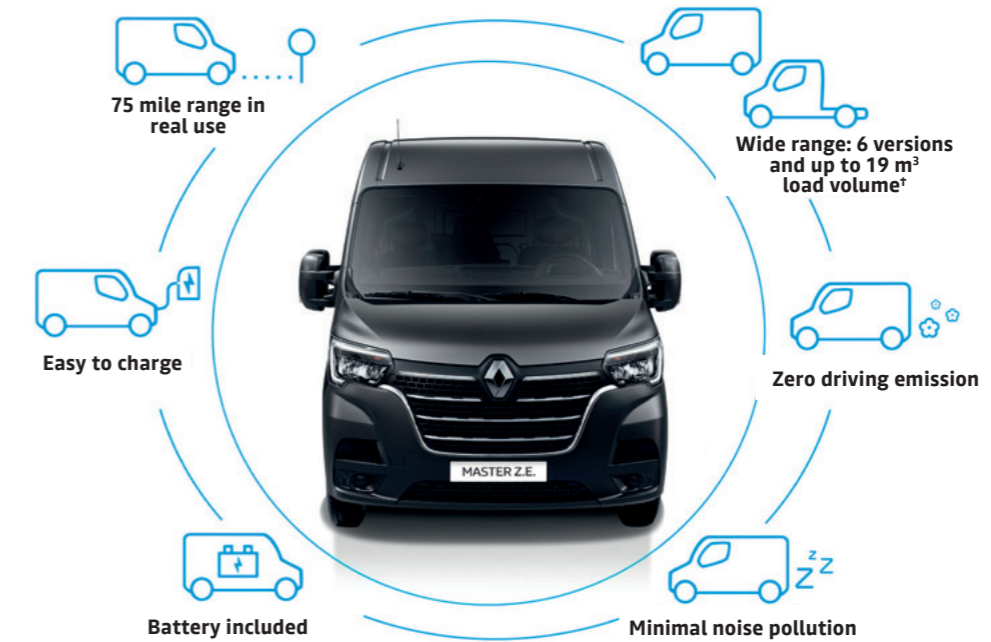
**OUT ALL DAY** – The New Master Z.E. can keep going all day, especially on high stop and start routes.



\* subject to off street parking and wall-box suitability.

<sup>†</sup> Figures shown are for comparability purposes; only compare figures with vehicles tested to the same technical procedures. There is a new test for electric range figures however the electric range figures shown are based on the outgoing (NEDC) test cycle. Figures obtained after the battery was fully charged. Actual real world driving results may vary depending on factors such as the starting charge of the battery, accessories fitted after registration, weather conditions, driving styles and vehicle load.

# MASTER Z.E



## Charging solutions – options that suit your needs!

We offer you several charging solutions to make sure your vehicle is always ready to go!

Type of charger	Where to use it	Power required	Charging times (0-100%)
Home (3-pin plug cable)*	Home / Office	2.3kW/10A	17 hours
	Home / Office	3.3kW/14A	12 hours
Wallbox / Public charging point	Home / Office / On the go	3.7kW/14A	11 hours
	Home / Office / On the go	7kW	6 hours
Public charging point	On the go	22kW	6 hours
	On the go	43kW	6 hours

Occasional slow charging.  
 \*Requires additional purchase of a EVSE cable.

Leaving the Master to charge overnight on a 3.7kW charger ensures that it will be ready for when you to begin your next day.

A standard charging time of 6 hours means your vehicle is ready to go when you are.



MASTER

# Colours



	Mineral White (QNG)	Urban Grey (KPW)	Carmen Red (719)	Tangerine Orange (031)	Lemon Yellow (396)	Volga Blue (RNQ)	Slate Blue (423)	Star Silver (KNH)	Blue Grey (J47)	Black (676)
Business	●	●	●	●	●	●	●	○	○	○
Business+	●	●	●	●	●	●	●	○	○	○

● = Standard (therefore no cost) ○ = Optional

(S) Solid paint (M) Metallic paint

Every effort has been made to ensure that the information, descriptions, and images were correct at the time of publication however images may not always reflect the exact version selected. It should be noted that limitations on screen do not permit the subtle paintwork shades on this page to be shown with absolute accuracy.

# Standard Features



16" steel wheels



Kaleido



# Standard Features



16" steel with large wheel stylers



Kaleido



## BUSINESS

### Technology

- Radio with DAB, Bluetooth and USB
- 6-speed gearbox
- ESC (Electronic Stability Control) with Grip Xtend, Hill Start Assist and Trailer Swing Assist
- Trip computer - multi-functional with rev counter

### Interior

- Closed glove box
- 2 cup holders on centre console
- Driver's seat - height adjustable, lumbar adjustment and armrest
- Steering wheel - height adjustment
- Electric front windows
- Passenger bench seat
- Overhead parcel shelf
- Kaleido - dark grey upholstery

### Exterior

- Left side loading door - unglazed
- 80-litre fuel tank
- 22-litre AdBlue tank
- C-Shaped DRL's
- Door mirrors - electric adjustment, heated
- 16" steel wheels with small wheel stylers
- Rear doors - unglazed, 180°
- Spare wheel

### Safety and security

- Full-steel bulkhead
- ABS with EBD (Electronic Brake force Distribution)
- Electronic immobiliser
- Remote central locking (foldable 2 button key)
- Airbag - driver
- Seatbelts - 3 point height-adjustable seatbelts with pretensioners
- 4 disc brakes

- Automatic headlights and wipers
- Deadlocking
- Rear running board and handles
- Anchorage points : 8 for short-wheel base (SWB) and 10 for medium and long-wheel base (LWB)

### Specific Z.E. Equipment

- [Z.E. charging socket \(right-hand side\)](#)
- [Z.E. Voice: emits a distinctive range of sounds signalling that the vehicle is moving](#)
- [Engine speed limiter 62 mph](#)
- [Standard charging cable 32A \(IEC 62196 - Type 2 Mennekes\) 6m](#)

### Crew Van adds

- 2nd row of 4 passenger seats
- Integrated storage nets and cup holders
- Single passenger seat on LWB versions
- Left and right side loading doors - glazed
- Bulkhead - full-steel with glazing

### RWD additional equipment

- Rear step
- Side marker lights (LWB or MWB with extended overhang only)
- Lane departure warning system (4.5T versions only)
- Engine speed limiter 56mph (to meet legal requirement) - 4.5T version only
- Digital tachograph (4.5T version only) and CAN interface unit

## BUSINESS+ (in addition to BUSINESS)

### Interior

- Manual air conditioning and pollen filter
- Electric front windows - driver's side one touch descending
- Driver's seat - fully adjustable suspension type (panel vans only, not crew vans)
- Interior chrome trim
- Pivoting seatback table with dual split underseat storage compartment
- 12V power socket in load area

### Exterior

- 16" steel wheels with large wheel stylers
- Chrome trim on front grille

### Safety and Security

- Wide view mirror
- Rear parking sensors

# Standard Features

## BUSINESS



Platform cab



Chassis cab

### Technology

- Radio with DAB, Bluetooth and USB
- 6-speed gearbox
- ESC (Electronic Stability Control) with Grip Xtend, Hill Start Assist and Trailer Swing Assist
- Trip computer - multi-functional with rev counter

### Interior

- Closed glove box
- 2 cup holders on central console
- Driver's seat - height adjustable, lumbar adjustment and armrest
- Steering wheel - height adjustment
- Electric front windows
- Passenger bench seat
- Overhead parcel shelf
- Kaleido - dark grey upholstery

### Exterior

- 80-litre fuel tank
- 22-litre AdBlue tank
- C-Shaped DRL's
- Door mirrors - electric adjustment, heated
- 16" steel wheels with small wheel stylers
- Side marker lights wiring (on LL, MLL and LLL versions only)
- Spare wheel

### Safety and security

- Full-steel bulkhead
- ABS with EBD (Electronic Brake force Distribution)
- Automatic headlights and wipers
- Electronic immobiliser
- Remote central locking (foldable 2 button key)
- Airbag - driver
- Bulkhead - full-steel with glazing (full-steel bulkhead on Platform Cab and Luton Low Loader, unglazed)
- 4 disc brakes
- Deadlocking

### RWD adds

- Digital tachograph (4.5T versions only) and CAN interface unit
- Engine speed limiter 56mph (to meet legal requirement) (4.5T version only)

### Double cab adds

- Second row of 4 passenger seats
- Single passenger seat on all Factory Tipper and Twin Rear Wheel Dropsides only\*\*
- Left and right rear lateral doors - glazed

### Specific Z.E. Equipment

- Z.E. charging socket (right-hand side)
- Z.E. Voice: emits a distinctive range of sounds signalling that the vehicle is moving
- Engine speed limiter 62 mph
- Standard charging cable 32A (IEC 62196 - Type 2 Mennekes) 6m



\*For compatible devices, please refer to [www.Renault.co.uk/services/multimedia/bletooth-compatibility](http://www.Renault.co.uk/services/multimedia/bletooth-compatibility)

\*\*Passenger bench not available

# Upholstery and Wheel Trims



**Kaleido black and grey fabric**  
Standard on Business and Business+



**Black and dark carbon Kompo fabric**  
Optional (Not available on Business+ and RWD)

## Wheels



**16" Steel wheels with small wheel stylers**  
Standard on Business



**16" Steel wheels with large wheel stylers**  
Standard on Business+



**16" Alloy wheels**  
Optional (FWD only)

## Tyres

TYPE	Euro 6d-Temp			Euro 6VI				Z.E.	
	SUMMER	ALL WEATHER	ALL WEATHER	SUMMER	ALL WEATHER	ALL WEATHER	SUMMER	SUMMER	
GVW/Transmission	2.8 t, 3.3 t and 3.5 t/Front-wheel drive		2.8 t, 3.3 t and 3.5 t/Front-wheel drive	3.5 t/Front-wheel drive	3.5 t/Single wheel rear-wheel drive	3.5 t and 4.5 t/Twin wheel rear-wheel drive	2.8 t, 3.3 t and 3.5 t/Front-wheel drive	3.5 t and 4.5 t/Twin wheel rear-wheel drive	3.1 t/Front-wheel drive
Tyres	225/65R16 Bridgestone Duravis	225/65R16 Continental Vancontact	225/65R16 Continental Vancontact 4 Seasons	225/65R16 Continental Vancontact	235/65R16 Michelin Agilis	195/75R16 Continental Vancontact	225/65R16 Continental Vancontact 4 Seasons	195/75R16 Continental Vancontact 4 Seasons	215/65R16 Continental Vancontact
Consumption class	A	A	B	A	B	B	B	E	A
Grip class on wet ground	A	A	A	A	A	A	A	C	A
Noise level	72 dB	72 dB	73 dB	72 dB	72 dB	72 dB	73 dB	72 dB	72 dB

# The Range

## Closed transport

You have a wide range of different needs, which can be met by the wide variety of interior fittings and length x height combinations of New Renault MASTER, with a loading volume of between 8 and 22 m<sup>3</sup>.



FWD Panel van



Crew van



Platform cab



Chassis cab



RWD Panel van

## Conversions

New Renault MASTER is available as a chassis cab or platform cab for conversion. Consult your Renault dealer to find the best new MASTER for your business.

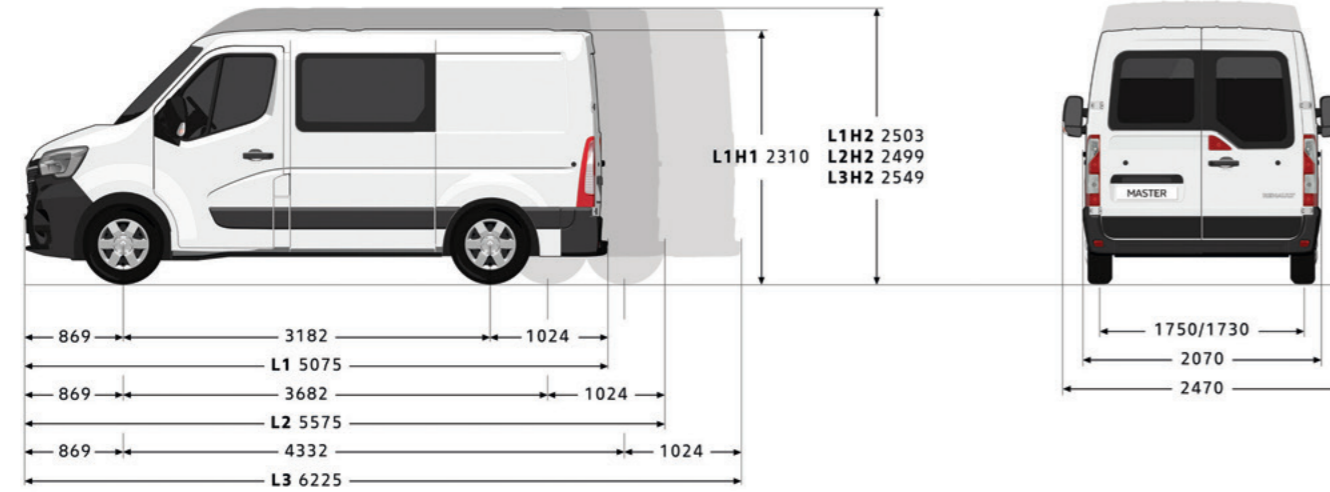




# Dimensions

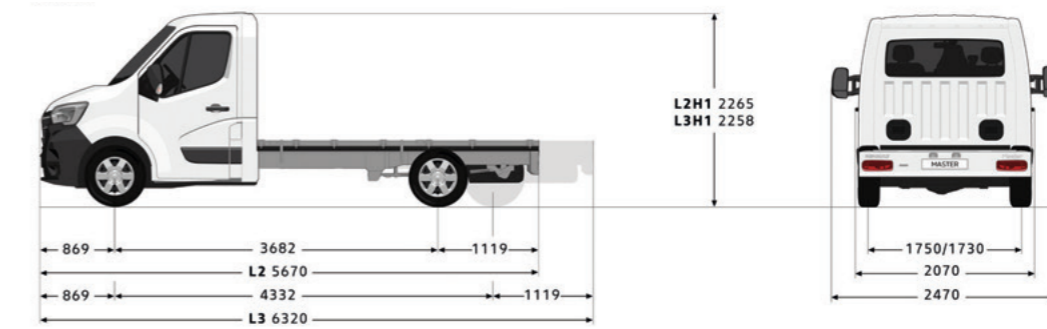
## Crew van

### FRONT-WHEEL DRIVE

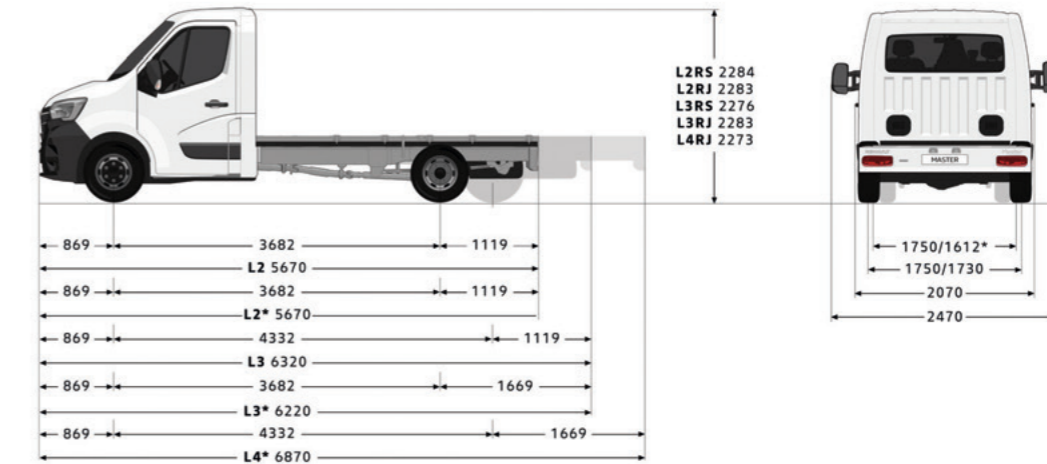


## Chassis single cab

### FRONT-WHEEL DRIVE



### REAR-WHEEL DRIVE



\* Twin wheels.

### WEIGHTS AND LOADS Crew van (kg)

	Max. payload	Effective volume m <sup>3</sup>
<b>GVW</b>	<b>3.5 t</b>	
L2H2 FWD Business	1,274	6.9
L3H2 FWD Business	1,180	9
L2H2 FWD Business+	1,249	6.9
L3H2 FWD Business+	1,155	9

SW: single wheels. TW: twin wheels.

### INTERIOR DIMENSIONS Crew van (mm)

	Front-wheel drive	
	L2H2	L3H2
<b>Loading area</b>		
Effective length at 0.4m	2,175	2,825
Effective length at 1 m	1,990	2,640
Effective width	1,765	
Width between wheel arches	1,380	1,080
Effective height	1,894	1,798
<b>Sliding side door(s)</b>		
Width of sliding side door(s)	1,270	

### INTERIOR DIMENSIONS Crew van (mm) (continued)

	Front-wheel drive	
	L2H2	L3H2
Height of sliding side door(s)	1,780	1,684
<b>Rear door</b>		
Width at the lower part	1,580	
Height	1,820	1,724
Loading sill (min./max.)	545/562	543/557
Ground clearance	174	172

SW: single wheels. TW: twin wheels.

### WEIGHTS AND LOADS Chassis single cab (kg)

	Front-wheel drive		Rear-wheel drive						
	L2	L3	L2 SW	L2 TW	L3 SW	L2 Long overhang TW	L2 Long overhang TW	L3 Long overhang TW	L3 Long overhang TW
<b>GVW</b>	<b>3.5t</b>	<b>3.5t</b>	<b>3.5t</b>	<b>3.5t</b>	<b>3.5t</b>	<b>3.5t</b>	<b>4.5t</b>	<b>3.5t</b>	<b>4.5t</b>
Min. kerb weight <sup>(1)</sup>	1,786	1,807	1,899	2,080	1,950	2,090	2,090	2,095	2,095
Max. payload <sup>(2)</sup>	1,714	1,693	1,601	1,420	1,550	1,410	2,410	1,405	2,405
Max. load on front axle	1,850								
Max. load on rear axle	2,100	2,300	2,620	2,300	2,620	3,200	2,620	3,200	3,200
Max. towing weight	2,500/750		3,000/750	2,500/750	3,000/750				
Turning circle, kerb to kerb	13.6 m	15.7 m	13.6 m				15.7 m		
Turning circle, wall to wall	14.1 m	16.2 m	14.1 m				16.2 m		

### DIMENSIONS Chassis single cab (mm)

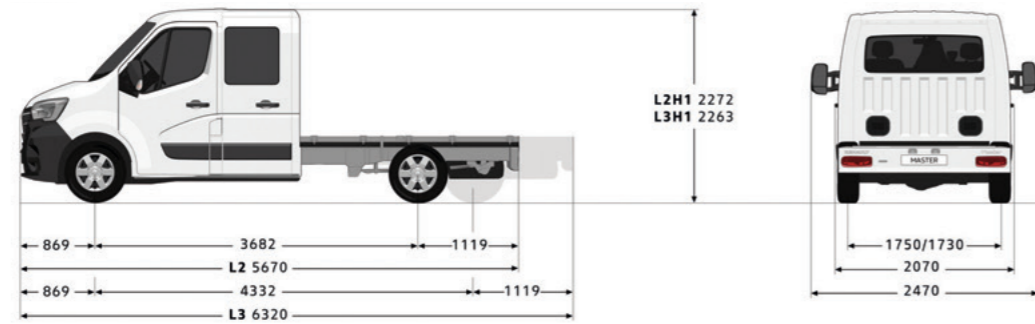
	Front-wheel drive		Rear-wheel drive				
	L2	L3	L2 SW	L2 TW	L3 SW	L2 Long overhang TW	L3 Long overhang TW
Maximum body length	5,670	6,320	5,670	5,670	6,320	6,220	6,870
Effective body length (min./max.)	3,184/ 3,466	3,834/ 4,840	3,184/ 4,295	3,184/ 4,276	3,834/ 4,926	3,734/ 4,275	4,384/ 5,470
Side member sill height	735/ 740	736/ 741	771/ 774	784/ 787	771/ 775	784/ 787	786/ 789
Width with extended door mirrors	2,654						
Max. effective body width (standard/extended repeaters)	2,170/2,350						
Ground clearance (min)	166						

(1) The kerb weight is the weight of the vehicle without the driver and with the fuel tank filled to 90%. This weight is given for the basic version and may vary according to the equipment and engine (by up to 330kg). (2) The payload is calculated as the difference between the Gross Vehicle Weight (GVW) and the kerb weight. SW: single wheels. TW: twin wheels.

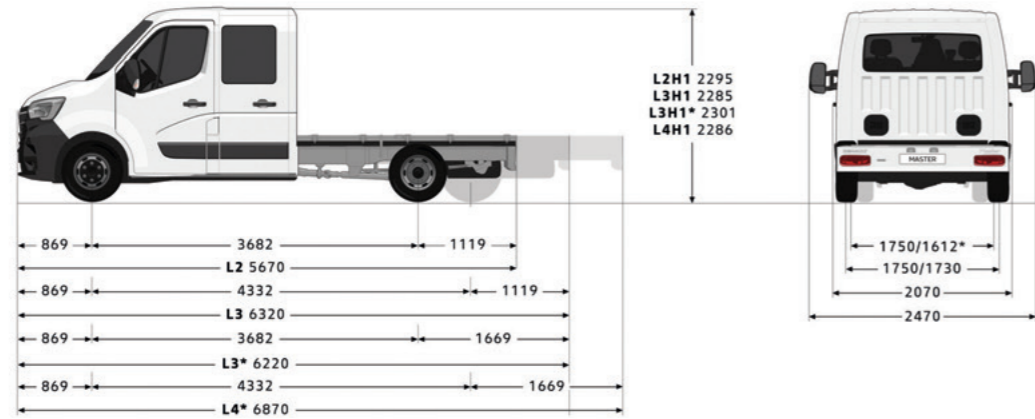
# Dimensions

## Chassis double cab

### FRONT-WHEEL DRIVE



### REAR-WHEEL DRIVE



\* Twin wheels.

### WEIGHTS AND LOADS Chassis double cab (kg)

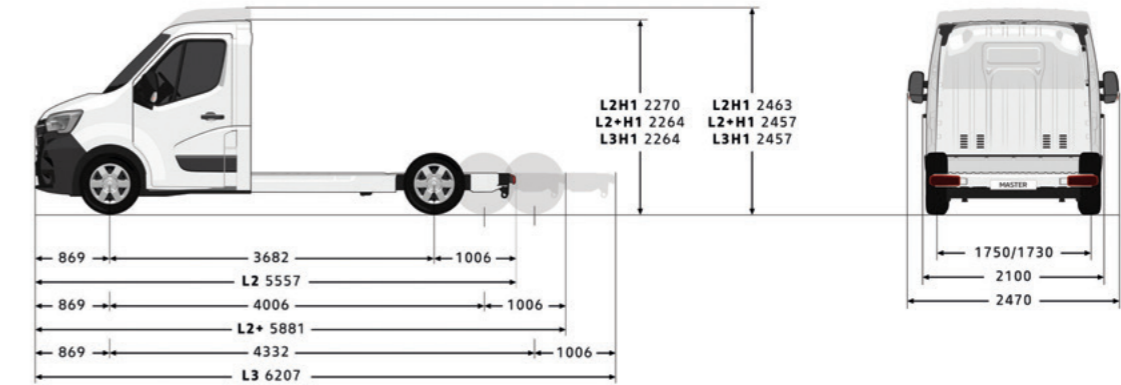
	Front-wheel drive		Rear-wheel drive	
	L2	L3	L3	L3 Long overhang
<b>GVW</b>	<b>3.5t</b>	<b>3.5t</b>	<b>3.5t TW</b>	<b>3.5t TW</b>
Min. kerb weight <sup>(1)</sup>	1,971	1,979	2,245	2,294
Max. payload <sup>(2)</sup>	1,529	1,521	1,255	1,206
Max. load on front axle	1,850			
Max. load on rear axle	2,100		2,620	2,620
Max. towing weight braked/unbraked	2,500/750		3,000/750	
Turning circle, kerb to kerb	13.6 m	15.7 m	13.6 m	15.7 m
Turning circle, wall to wall	14.1 m	16.2 m	14.1 m	16.2 m

### DIMENSIONS Chassis double cab (mm)

	Front-wheel drive			
	L2	L3	L3 TW	L3 Long overhang TW
Maximum body length	5,670	6,320	6,220	6,870
Effective body length (min./max.)	2,434/ 2,516	3,084/ 4,044	2,985/ 3,416	3,635/ 4,436
Side member sill height (min./max.)	727/732	731/736	775/780	778/781
Width with extended door mirrors	2,654			
Maximum effective body width (with standard/extended repeater)	2,170/2,350			
Ground clearance (min)	169		167	

(1) The kerb weight is the weight of the vehicle without the driver and with the fuel tank filled to 90%. This weight is given for the basic version and may vary according to the equipment and engine (by up to 330 kg). (2) The payload is calculated as the difference between the Gross Vehicle Weight (GVW) and the kerb weight. SW: single wheels. TW: twin wheels.

## Platform cab



### WEIGHTS AND LOADS Platform cab (kg)

	Z.E. L2H1 Front-wheel drive	L2H1 Front-wheel drive	Z.E. L3H1 Front-wheel drive	L3H1 Front-wheel drive
<b>GVW</b>	3.1t	3.5t	3.1t	3.5t
Min. kerb weight <sup>(1)</sup>	1,773	1,717	1,795	1,725
Max. payload <sup>(2)</sup>	1,327	1,783	1,305	1,775
Max. load on front axle	1,700	1,850	1,700	1,850
Max. load on rear axle	1,900	2,100	1,900	2,100
Max. towing weight braked/unbraked	0/0	2,500/750	0/0	2,500/750
Turning circle, kerb to kerb	13.6m	13.6 m	15.7m	15.7 m
Turning circle, wall to wall	16.2m	14.1 m	16.2m	16.2 m

### DIMENSIONS Platform cab (mm)

	L2H1	L3H1
Maximum body length	5,557	6,207
Effective body length (min./max.)	3,091/3,313	3,741/4,583
Maximum effective body width (with standard/extended repeater)	2,170/2,350	
Width with extended door mirrors	2,654	
Floor sill height (min./max.)	581/585	579/583
Ground clearance (min)	166	

(1) The kerb weight is the weight of the vehicle without the driver and with the fuel tank filled to 90%. This weight is given for the basic version and may vary according to the equipment and engine (by up to 330 kg). (2) The payload is calculated as the difference between the Gross Vehicle Weight (GVW) and the kerb weight.

# Options



**1. LED loadspace lighting** (at the rear and near the sliding side door) provide more white and intense light to optimise your working conditions.

**2. Reversing camera:** With information fed back onto the MediaNav multimedia system (when specified) or interior rear-view mirror (when MediaNav is not specified).

**3. Tablet holder:** The digital tablet holder is ideally placed above the radio on the dashboard. This system is suitable for a wide range of tablets of varying sizes. The holder can be used horizontally and vertically.

**4. MediaNav multimedia system:** Stay connected thanks to New Renault MASTER's multimedia systems and Renault Easy Connect services. MediaNav Evolution has smartphone integration so you can use your favourite applications on the large touchscreen on the dashboard.



# Accessories



1.

**1. Roof bars:** Very practical for transporting professional equipment and all other bulky loads. These roof bars meet all safety and quality standards and are available in either a set of 2 bar (maximum load: 89.5kg) or 4 bars (maximum load: 181.5kg).

**2. Rubber floor mats:** These waterproof and easy-to-maintain mats ensure total protection for the floor of your New MASTER. They are quick to attach using 2 safety clips and come in packs of 2 or 4.

**3. Loading pack:** Essential for easy access to the roof. Pack includes the steel ladder, mounted inside the door for a better hold, and the aluminium roof rack, supplied with rear roller for easy loading.

**4. Kenwood Dashcam:** The Kenwood DRV-410 Dash Cam is a great addition for your added security and reassurance on the road. The on-board camera automatically starts recording as soon as the vehicle ignition is switched on. As video footage is now widely accepted and used for insurance claims, the dashcam is designed to give drivers peace of mind. The pack includes a GPS integrated dashboard camera with advanced driver assistance systems (ADAS) built-in and has full HD recording at 27 frames/sec.

**5. Rear parking sensors:** Makes parking easier by detecting any obstacles behind your vehicle and issuing an audible alert.

For more information, consult the MASTER accessories brochure.



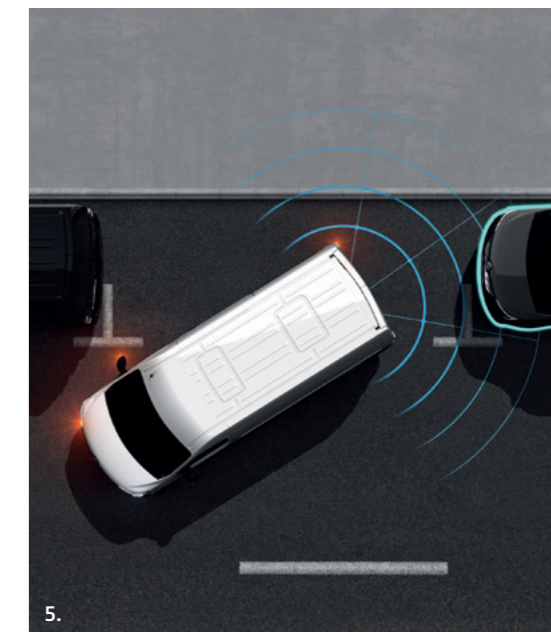
2.



3.



4.



5.

# Engines

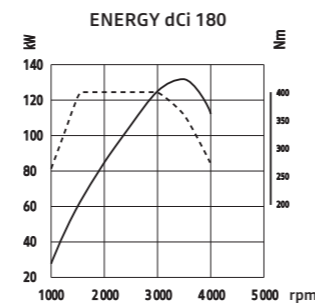
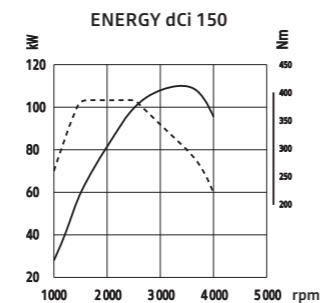
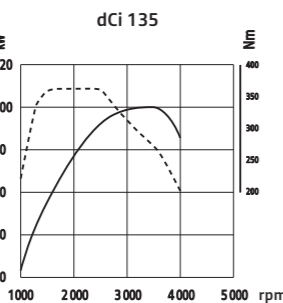


## High-performance and more efficient engines

As part of application of the Euro 6d-temp standard, New MASTER has modernised its range of engines. Benefits: a 100% Twin Turbo range in front wheel drive, more power (up to +10 hp), more torque (up to +40 Nm) for new driving pleasure and better acceleration. All of this significantly reduces fuel consumption and CO<sub>2</sub> emissions. Example: the dCi 135 hp Twin Turbo saves 5 hp, +40 Nm whilst reducing its consumption by up to 15% in combined cycle (NEDC-BT) enabling a net improvement in the total cost of ownership.

### How do I choose?

- On the "heavy" models that are bulky or requiring better traction (rear-wheel drive), the Euro VI engine range meets your expectations with the dCi 130, ENERGY dCi 145.
- On standard models (e.g. non-converted front-wheel drive van), the dCi 135, ENERGY dCi 150, ENERGY dCi 180 engines, meeting Euro 6d-temp standards, are perfectly adapted to your needs. The last 2 levels can be combined with a 6-speed automatic gearbox (ENERGY dCi 150 and 180)
- Let's also remind you of the electric engine of New MASTER Z.E., ideal for urban delivery of the last mile.



--- Torque (Nm)    — Power (hp)

### "Twin Turbo" technology

It enables a diesel engine to combine torque at low speeds and high power with immediate benefit to driving pleasure. It incorporates two standard-mounted turbochargers:

- the first turbo provides high torque from low speeds to give you greater responsiveness when pulling away and restarting;

- the second turbo takes over at higher speeds, letting you use more power without running out of steam for smooth, steady, linear acceleration.

### Euro 6/VI and AdBlue®

The new range has the SCR (catalytic reduction system) enabling all of our engines to significantly reduce NOx emissions by injecting a liquid called AdBlue®. AdBlue® is a liquid, non-toxic, non-flammable and water-based solution, which is injected at the start of the exhaust line. This significantly reduces pollutant emissions while preserving the performance of our engines. The AdBlue® tank is located under the body at the front and is filled via a flap which is located on the right side of the vehicle (can be filled from a bottle, or HGV AdBlue® pump in service stations).

# Technical Specification

	Euro 6d-Temp		ENERGY dCi 150 BVM6/BVR6* N1		ENERGY dCi 180 BVM6/BVR6* N1	
Power (hp/kW)	135/100		150/110		180/132	
Stop & Start	No		Yes		Yes	
Engine speed at max. power (rpm)	3,500		3,500		3,500	
Torque (N.m)	360		385		400	
Engine speed at max. torque (rpm)	1,500		1,500		1,500	
Top speed (km/h)	151		156		166	
0-100 km/h (s)	13.5		12.1		11.3	
Type of bodywork	FWD vans and crew vans, non-converted	Converted chassis cabs, tippers, dropside, platform cabs and FWD panel vans	FWD vans, non-converted	Converted chassis cabs, tippers, dropside, platform cabs and FWD panel vans	FWD vans, non-converted	
<b>NEDC-BT <sup>(1)</sup></b>						
Combined fuel consumption (l/100km)	5.5- 5.9	6	BVM6	BVR6*	BVM6	BVR6*
CO <sub>2</sub> emissions (g/km) (combined cycle)	177 - 187	191	5.9-6	TBC	5.5	5.6
<b>WLTP</b>						
Combined fuel consumption (l/100km)	7.5-8.3	10.3	7.7-8	TBC	10.2	8.1
CO <sub>2</sub> emissions (g/km) (combined cycle)	236 - 276	327	244 - 256	TBC	323	254

(1) Official fuel consumption figures are produced for comparability purposes; only compare figures with vehicles tested to the same technical procedures. Actual real-world driving results may vary depending on factors such as weather conditions, driving styles, vehicle load or any accessories fitted after registration. WLTP is a new test used for fuel consumption and CO<sub>2</sub> figures, however the CO<sub>2</sub> and fuel consumption figures are based on the outgoing NEDC test cycle which have been back-translated from WLTP to NEDC. \*BVR6 automatic gearbox engine data.

	Euro VI		ENERGY dCi 145		ENERGY dCi 150		ENERGY dCi 145		dCi 130		ENERGY dCi 145	
Type of bodywork	All FWD Vans and Conversions		All FWD Vans and Conversions		All FWD Vans and Conversions		All FWD Vans and Conversions		All RWD Vans and Conversions		All RWD Vans and Conversions	
Certification category	N1		N1		N1		N2		N1		N1	
Wheels	SW		SW		SW		TW		TW		TW	
Power (hp/kW)	145/107		180/132		145/107		150/110		145/107		130/96	
Stop & Start	Yes		Yes		Yes		Yes		Yes		No	
Engine speed at max. power (rpm)	3,500		3,500		3,500		3,500		3,500		3,500	
Torque (N.m)	360		400		360		385		360		330	
Engine speed at max. torque (rpm)	1,500		1,500		1,500		1,500		1,500		1,500	
Top speed (km/h)	153		166		153		156		150		148	
<b>NEDC-BT</b>												
Combined cycle consumption (l/100km)	TBC		5.6		TBC		4.9-5		TBC		TBC	
CO <sub>2</sub> emissions (g/km) (combined cycle)	TBC		180		TBC		156 - 159		TBC		TBC	

# New MASTER Van

## MASTER VAN - PANEL VAN

VERSIONS	CO <sub>2</sub> (g/km) <sup>†</sup>	Combined fuel consumption (l/100km) <sup>†</sup>	Load volume (m <sup>3</sup> )	Max. payload (kg)
<b>BUSINESS</b>				
<b>L1H1</b>				
FWD SL28 dCi 135 Business MY19	177	6.7	8.0	873
FWD SL28 ENERGY dCi 150 Quickshift6 Business MY19	181	6.9	8.0	873
<b>L1H2</b>				
FWD SM35 dCi 135 Business MY19	180	6.8	9.0	1551
FWD SM35 ENERGY dCi 150 Quickshift6 Business MY19	185	6.9	9.0	1551
<b>L2H2</b>				
FWD MM33 dCi 135 Business MY19	180	6.8	10.8	1279
FWD MM33 ENERGY dCi 150 Business MY19	156	5.9	10.8	1279
FWD MM35 dCi 135 Business MY19	180	6.8	10.8	1479
FWD MM35 ENERGY dCi 150 Business MY19	156	5.9	10.8	1479
FWD MM35 ENERGY dCi 150 Quickshift6 Business MY19	185	6.9	10.8	1479
<b>L2H3</b>				
FWD MH35 dCi 135 Business MY19	180	6.8	12.3	1454
FWD MH35 ENERGY dCi 150 Business MY19	156	5.9	12.3	1454
<b>L2H2 LONG OVERHANG</b>				
RWD MML35 dCi 130 Business MY19	TBC	TBC	12.4	1157
RWD MML35TW ENERGY dCi 145 Business MY19	TBC	TBC	12.4	1101
<b>L3H2</b>				
FWD LM35 dCi 135 Business MY19	183	6.9	13.0	1384
FWD LM35 ENERGY dCi 150 Business MY19	159	6	13.0	1384
FWD LM35 ENERGY dCi 150 Quickshift6 Business MY19	189	7.2	13.0	1384
FWD LM35 ENERGY dCi 180 Business MY19	180	6.8	13.0	1384
FWD LM35 ENERGY dCi 180 Quickshift6 Business MY19	188	7	13.0	1384
<b>L3H3</b>				
FWD LH35 dCi 135 Business MY19	183	6.9	14.8	1377
FWD LH35 ENERGY dCi 150 Business MY19	159	6	14.8	1377
FWD LH35 ENERGY dCi 150 Quickshift6 Business MY19	189	7.2	14.8	1377
<b>L3H2 LONG OVERHANG</b>				
RWD LML35 dCi 130 Business MY19	TBC	TBC	14.9	1157
RWD LML35 ENERGY dCi 145 Business MY19	TBC	TBC	14.9	1157
RWD LML35TW ENERGY dCi 145 Business MY19	TBC	TBC	14.9	1061
RWD LML45TW ENERGY dCi 145 Business MY19	TBC	TBC	14.9	2061
<b>L3H3 LONG OVERHANG</b>				
RWD LHL35 dCi 130 Business MY19	TBC	TBC	17.0	1110
RWD LHL35 ENERGY dCi 145 Business MY19	TBC	TBC	17.0	1110
RWD LHL35TW ENERGY dCi 145 Business MY19	TBC	TBC	17.0	990
RWD LHL45TW ENERGY dCi 145 Business MY19	TBC	TBC	17.0	1990
<b>BUSINESS+</b>				
<b>L1H1</b>				
FWD SL28 dCi 135 Business+ MY19	177	6.7	8.0	848
<b>L2H2</b>				
FWD MM33 dCi 135 Business+ MY19	180	6.8	10.8	1254
FWD MM35 dCi 135 Business+ MY19	180	6.8	10.8	1454
FWD MM35 ENERGY dCi 150 Business+ MY19	156	5.9	10.8	1454
FWD MM35 ENERGY dCi 150 Quickshift6 Business+ MY19	185	7	10.8	1454
<b>L3H2</b>				
FWD LM35 dCi 135 Business+ MY19	183	6.9	13.0	1359
FWD LM35 ENERGY dCi 150 Business+ MY19	159	6	13.0	1359
FWD LM35 ENERGY dCi 150 Quickshift6 Business+ MY19	189	7.2	13.0	1359

## MASTER CREW VAN - 7 SEATS

VERSIONS	CO <sub>2</sub> (g/km) <sup>†</sup>	Combined fuel consumption (l/100km) <sup>†</sup>	Load volume (m <sup>3</sup> )	Max. payload (kg)
<b>BUSINESS</b>				
<b>L2H2</b>				
FWD MM35 dCi 135 Business Crew Van MY19	187	7.1	6.9	1274
<b>L3H2</b>				
FWD LM35 dCi 135 Business Crew Van MY19	187	7.1	9.0	1180
<b>BUSINESS+</b>				
<b>L2H2</b>				
FWD MM35 dCi 135 Business+ Crew Van MY19	187	7.1	6.9	1249
<b>L3H2</b>				
FWD LM35 dCi 135 Business+ Crew Van MY19	187	39.8	9.0	1155

## MASTER Z.E. PANEL VAN - BUSINESS

VERSIONS	CO <sub>2</sub> (g/km) <sup>†</sup>	Power unit output kW (bhp)	Load volume (m <sup>3</sup> )	Max. payload (kg)
<b>L1H1</b>				
FWD SL31 i Z.E. Business MY19	0	57 (76)	8.0	1078
<b>L1H2</b>				
FWD SM31 i Z.E. Business MY19	0	57 (76)	9.0	1050
<b>L2H2</b>				
FWD MM31 i Z.E. Business MY19	0	57 (76)	10.8	1006
<b>L3H2</b>				
FWD LM31 i Z.E. Business MY19	0	57 (76)	13.0	925

<sup>†</sup> Official fuel consumption figures are produced for comparability purposes; only compare figures with vehicles tested to the same technical procedures. Actual real-world driving results may vary depending on factors such as weather conditions, driving styles, vehicle load or any accessories fitted after registration. WLTP is a new test used for fuel consumption and CO<sub>2</sub> figures, however the CO<sub>2</sub> and fuel consumption figures are based on the outgoing NEDC test cycle which have been back-translated from WLTP to NEDC.

# New MASTER Options

	Panel	Business Panel Z.E.	FWD Crew	Business+ Panel	Crew	RWD Business Panel
<b>BASICS</b>						
Airbag - front passenger	o	-	o	o	o	o
Airbag - front passenger, front lateral curtain (driver and passenger) and single passenger seat (height adjustable) with lumbar adjustment (standard on LWB) <sup>(5)</sup>	o	-	-	o	-	o
Air suspension <sup>(6)(18)</sup>	o	-	o	o	o	-
Battery interface	o	o	o	o	o	o
CAN interface unit	o	-	o	o	o	o
Digital tachograph and CAN interface unit <sup>(7)</sup>	o	-	o	o	o	o
Engine speed limiter (56mph/90kmh OR 62mph/100kmh OR 68mph/110kmh OR 81 mph/130kmh) <sup>(8)</sup>	o	-	o	o	o	o
Fuel tank - 105 litres	o	-	o	o	o	o
Key - additional (third) key	o	o	o	o	o	o
Key - 2 button hands free key	o	o	o	o	o	o
Key - 3 button key	o	o	o	●	●	o
Locking differential	-	-	-	-	-	o
Mudflaps (front and rear)	o	o	o	o	o	o
Power take off - engine <sup>(1)(9)</sup>	o	o	o	-	-	o
Power take off - gearbox <sup>(10)</sup>	-	-	-	-	-	o
Rear step	o	o	o	o	o	●
Reinforced Battery <sup>(11)</sup>	o	●	o	o	o	o
Smoker pack	o	o	o	o	o	o
<b>CONNECTIVITY</b>						
12V power point in load area	o	o	o	●	●	o
MediaNav multimedia system; 7" touchscreen, Navteq navigation, FM/AM/DAB tuner, 2x20W speakers, Bluetooth® hands-free calls, USB and AUX sockets <sup>(2)</sup>	o	-	o	o	o	o
<b>COMFORT</b>						
Cruise control with speed limiter	o	o	o	o	o	o
Driver's seat - fully adjustable suspension type <sup>(13)</sup>	o	-	o	●	o	o
Electric front windows (driver's side 'one touch' descending)	o	o	o	●	●	o
Kompo upholstery	o	o	o	-	-	-
Manual air conditioning with pollen filter	o	o	o	●	●	o
Passenger's seat - height-adjustable single seat with armrest	o	o	o	o	o	o
Passenger's seat - height-adjustable with lumbar adjustment single seat <sup>(21)</sup>	o	o	o	o	o	o
Pivoting seatback table <sup>(13)(22)</sup>	o	o	●	o	o	o
Pivoting seatback table with dual split underseat storage compartment <sup>(13)(22)</sup>	o	o	o	●	●	o
Driving pack: cruise control with speed limiter, air conditioning with pollen filter, one-touch electric front windows	o	-	o	-	-	o
<b>PROTECT</b>						
Advanced Emergency Braking System <sup>(23)</sup>	o	-	o	o	o	o
Additional anchorage points in loading area	o	o	o	o	o	o
Blind spot warning <sup>(20)</sup>	o	-	o	-	-	o
Bulkhead - full steel with glazing	o	-	-	o	-	o
Increased idle speed <sup>(14)</sup>	o	-	o	o	o	o
LED loadspace lighting	o	o	o	o	o	o
Rear parking camera	o	o	o	-	-	o
Rear parking camera with rear parking sensors	o	o	o	o	o	o
Front parking sensors (Inc. rear sensors)	o	o	o	o	o	o
Front parking sensors (Inc. rear sensors) with rear parking camera	o	o	o	o	o	o
Parking Pack 1: front & rear parking sensors plus cruise control & wide view mirror	o	-	o	-	-	o <sup>(8)</sup>
Parking Pack 2: front & rear parking sensors, rear parking camera plus cruise control & wide view mirror	o	-	o	-	-	o <sup>(8)</sup>
Parking Pack 3: front & rear parking sensors plus cruise control, wide view mirror & blind spot warning	o	-	o	-	-	o <sup>(8)</sup>
Parking Pack 4: front & rear parking sensors, rear parking camera plus cruise control, wide view mirror & blind spot warning	o	-	o	-	-	o <sup>(8)</sup>

	Panel	Business Panel Z.E.	FWD Crew	Business+ Panel	Crew	RWD Business Panel
Rear parking sensors	o	o	o	●	●	o
Resin coated plywood floor	o	o	o	o	o	o
Permanent rear view camera	o	-	o	o	o	o
Ply lining - full height ply lined side panels and floor - ply lined with resin coating <sup>(3)</sup>	o	-	o	o	o	o
Ply lining - half height ply lined side panels <sup>(6)</sup>	o	o	o	o	o	o
Towing capacity - Twin wheel heavy duty option : Increase to 3,500 kg <sup>(8)(17)</sup>	-	-	-	-	-	o
Tyre pressure monitoring system	o	o	o	o	o	-
Wide view mirror	o	o	o	●	●	o
4x4 <sup>(4)</sup>	-	-	-	-	-	o
Lane departure warning system & Automatic headlight high/ low beam	o	-	o	o	o	o
<b>STYLE</b>						
16" alloy wheels <sup>(19)</sup>	o	-	o	o	o	-
16" steel wheels with large wheel stylers <sup>(15)</sup>	o	o	o	●	●	o
All-weather tyres <sup>(6)(16)</sup>	o	-	o	o	o	o
Metallic paint	o	o	o	o	o	o
Tow bar	o	-	o	o	o	o
Front fog lights	o	-	o	o	o	-
<b>ELECTRIC</b>						
EVSE Cable for 10 amp charging using domestic 3-pin plug	-	o	-	-	-	-
My Z.E. Connect - 3 year renewal subscription (one year free subscription) <sup>(13)</sup>	-	o	-	-	-	-

●= Standard (therefore no cost) o= Optional - = Not available

(1) RWD and FWD 135, 150 and 170 versions must be taken with manual air conditioning (2) For list of compatible Bluetooth devices visit <https://www.renault.co.uk/services/multimedia/bluetooth-compatibility.html> (3) Not available with Glazing Pack or with LML and LHL versions if not twin wheel variant (4) Must be ordered with a locking differential and is not available with Power take off, MediaNav, Lane departure warning, Automatic high-low beam or 4.5T versions. Due to the weight of the 4x4 system selecting this option will reduce your payload. (5) Front lateral airbag covers thorax only (6) Not available on SWB versions (7) Standard on 4.5T and needs to be calibrated by the dealership on hand-over (8) Not available on 4.5T versions (9) Must be taken with battery interface (10) Not available with increase idle speed. Not available on Quickshift (11) Not available on ENERGY or Quickshift engines (12) Cannot be taken with Airbag - front passenger (13) Not available with front lateral curtain airbag (14) Not available with Power take off - gearbox (15) Not available on twin RWD versions (16) Not compatible with Alloy wheels (17) Only available on Twin RWD versions (18) Requires Battery interface and Can interface unit (19) Not available with All-weather tyres (20) Not available with Rear parking sensors (21) Standard on LWB Crew Van Versions (22) Not available on LWB Crew Van Versions: single passenger seat is standard (23) Cannot be ordered with Front parking sensors

# Doors, Windows and Bulkheads

	PANEL	CREW
<b>DOORS, WINDOWS &amp; BULKHEADS</b>		
Right side loading door - unglazed	o	-
Glazing for side loading doors / right hand panel - non-opening windows <sup>(3)</sup>	o	●
Opening windows in glazed side loading doors <sup>(1)</sup>	o	o
Rear doors - glazed, 180°	o	o
Rear doors - unglazed, 270° <sup>(2)</sup>	o	o
Heated rear window	o	o
Glazing pack - Left side loading door - glazed with non opening window, Right side panel - glazed with non opening window, Rear doors - glazed, 180°, Left and right quarter panels - glazed	o	-

●= Standard (therefore no cost) o= Optional - = Not available

No window or door options available on MASTER Z.E.

(1) Must be taken with glazed sides (2) Not available on SWB versions (3) Not compatible with Driver's seat - fully adjustable suspension type



# New MASTER Conversions

## MASTER CONVERSIONS

VERSIONS	CO <sub>2</sub> (g/km)*	Max. payload (kg)
<b>CHASSIS CAB SINGLE CAB</b>		
<b>L2H1</b>		
Chassis Cab FWD ML35 dCi 135 Business MY19	192	1714
Chassis Cab RWD ML35 dCi 130 Business MY19	224	1601
Chassis Cab RWD ML35TW dCi 130 Business MY19	192	1420
<b>L2H1 LONG OVERHANG</b>		
Chassis Cab RWD MLL35TW ENERGY dCi 145 Business MY19	211	1410
Chassis Cab RWD MLL45TW ENERGY dCi 145 Business MY19	211	2410
<b>L3H1</b>		
Chassis Cab FWD LL35 dCi 135 Business MY19	192	1693
Chassis Cab FWD LL35 ENERGY dCi 150 Business MY19	166	TBC
Chassis Cab RWD LL35 dCi 130 Business MY19	224	1550
<b>L3H1 LONG OVERHANG</b>		
Chassis Cab RWD LLL35TW ENERGY dCi 145 Business MY19	211	1405
Chassis Cab RWD LLL45TW ENERGY dCi 145 Business MY19	211	2405
<b>CHASSIS CAB DOUBLE CAB</b>		
<b>L2H1</b>		
Chassis Double Cab FWD ML35 ENERGY dCi 150 Business MY19	166	1529
Chassis Double Cab RWD MLL35TW ENERGY dCi 145 Business MY19	211	1255
<b>L3H1</b>		
Chassis Double Cab FWD LL35 ENERGY dCi 150 Business MY19	166	1521
<b>L3H1 LONG OVERHANG</b>		
Chassis Double Cab RWD LLL35TW ENERGY dCi 145 Business MY19	211	1206
<b>PLATFORM CAB</b>		
<b>L2H1</b>		
Platform Cab FWD ML35 dCi 135 Business MY19	192	1783
<b>L3H1</b>		
Platform Cab FWD LL35 dCi 135 Business MY19	192	1775
Platform Cab FWD LL35 ENERGY dCi 150 Business MY19	166	TBC
Platform Cab FWD LL35 dCi 150 Quickshift6 Business MY19	196	TBC
<b>DROPSIDE SINGLE CAB</b>		
<b>L2H1</b>		
Chassis Cab Dropside FWD ML35 dCi 135 Business MY19	192	1401
Chassis Cab Dropside RWD ML35 dCi 130 Business MY19	224	1189
Chassis Cab Dropside RWD ML35TW ENERGY dCi 145 Business MY19	211	1087
<b>L3H1</b>		
Chassis Cab Dropside FWD LL35 dCi 135 Business MY19	192	1328
Chassis Cab Dropside RWD LL35 dCi 130 Business MY19	224	1185
<b>L2H1 LONG OVERHANG</b>		
Chassis Cab Dropside RWD MLL35TW ENERGY dCi 145 Business MY19	211	1036
<b>L3H1 LONG OVERHANG</b>		
Chassis Cab Dropside RWD LLL35TW ENERGY dCi 145 Business MY19	211	995
<b>DROPSIDE DOUBLE CAB</b>		
<b>L3H1</b>		
Chassis Double Cab Dropside FWD LL35 ENERGY dCi 150 Business MY19	166	1208
Chassis Double Cab Dropside RWD LL35 ENERGY dCi 145 Business MY19	211	1067
<b>L2H1 LONG OVERHANG</b>		
Chassis Double Cab Dropside RWD MLL35TW ENERGY dCi 145 Business MY19	211	1036
<b>L3H1 LONG OVERHANG</b>		
Chassis Double Cab Dropside RWD LLL35TW ENERGY dCi 145 Business MY19	211	995

## MASTER Z.E. PLATFORM CAB - BUSINESS - BATTERY FULL PURCHASE

VERSIONS	CO <sub>2</sub> (g/km)*	Power Unit Output kW (bhp)	Max. payload (kg)
<b>L2H1</b>			
FWD ML31 i Z.E. Business MY19	0	57 (76)	1377
<b>L3H1</b>			
FWD LL31 i Z.E. Business MY19	0	57 (76)	1355

\* Official fuel consumption figures are produced for comparability purposes; only compare figures with vehicles tested to the same technical procedures. CO<sub>2</sub> is based on a conversion with the maximum permitted weight and aerodynamic drag. Actual real-world driving results may vary depending on factors such as weather conditions, driving styles, vehicle load or any accessories fitted after registration. WLTP is a new test used for fuel consumption and CO<sub>2</sub> figures, however the CO<sub>2</sub> and fuel consumption figures are based on the outgoing NEDC test cycle which have been back-translated from WLTP to NEDC.

# Renault Pro+, the specialist brand



You're the expert in your field and at Renault Pro+ we're here to guide you through ours. We're passionate about delivering products and services to move your business forward. So when you choose to partner with Renault Pro+ you can expect:

## Specialist network

Renault Pro+ Centres have a dedicated commercial vehicle specialist. So whatever you're seeking advice on, there's always someone to help.

## Business Commitment

Come rain or shine, we have a set of commitments in place to help maximise uptime and minimise downtime.

## The future today - 100% electric

Renault Pro+ has been building, selling and maintaining electric vans since 2011. So when you're looking to make the switch, you know who to speak to.

## A tailored approach

Your vehicles are as unique as your business. That's why we have a programme of conversions to deliver exactly the product you want. From 'off the shelf' conversions to a more bespoke approach. We'll guide you through.

# Renault Services

**RENAULT BANK**  
We Bank. You Drive.

Renault Bank, choose the finance solution that best suits your needs.

At Renault Bank, we pride ourselves on being:

- **Flexible.** We have flexible payment plans. We can tailor the term, the deposit or the repayment to meet your needs.
- **Competitive.** We offer competitive rates and attractive financial packages you will not find anywhere else.
- **Simple.** We provide an easy application process, quick decision and minimum paperwork, all at your Local Dealer.
- **Creditable.** We are part of one of Europe's largest motor finance companies and offers financial services to millions of customers everyday.

Renault Bank is a trading name of RCI Banque Branch Ireland, a wholly owned subsidiary of the Renault Group. RCI Banque is regulated by the French banking authority and is supervised by the Central Bank of Ireland for conduct of business purposes.

## Renault Warranty

Renault Master comes with a 5 year / 200,000km Renault manufacturer warranty. For further details please visit [www.renault.ie/services/renault-warranty](http://www.renault.ie/services/renault-warranty)



\*5 year / 200,000 km Renault manufacturer warranty.